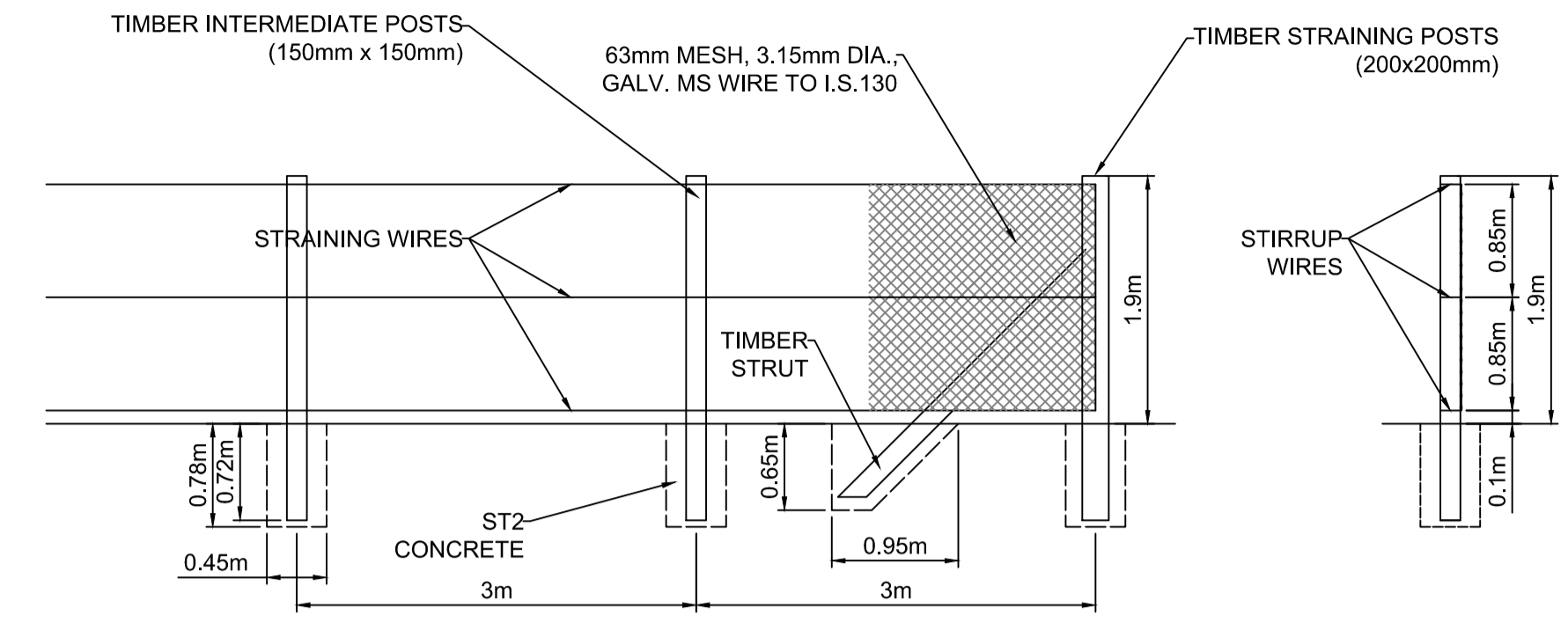
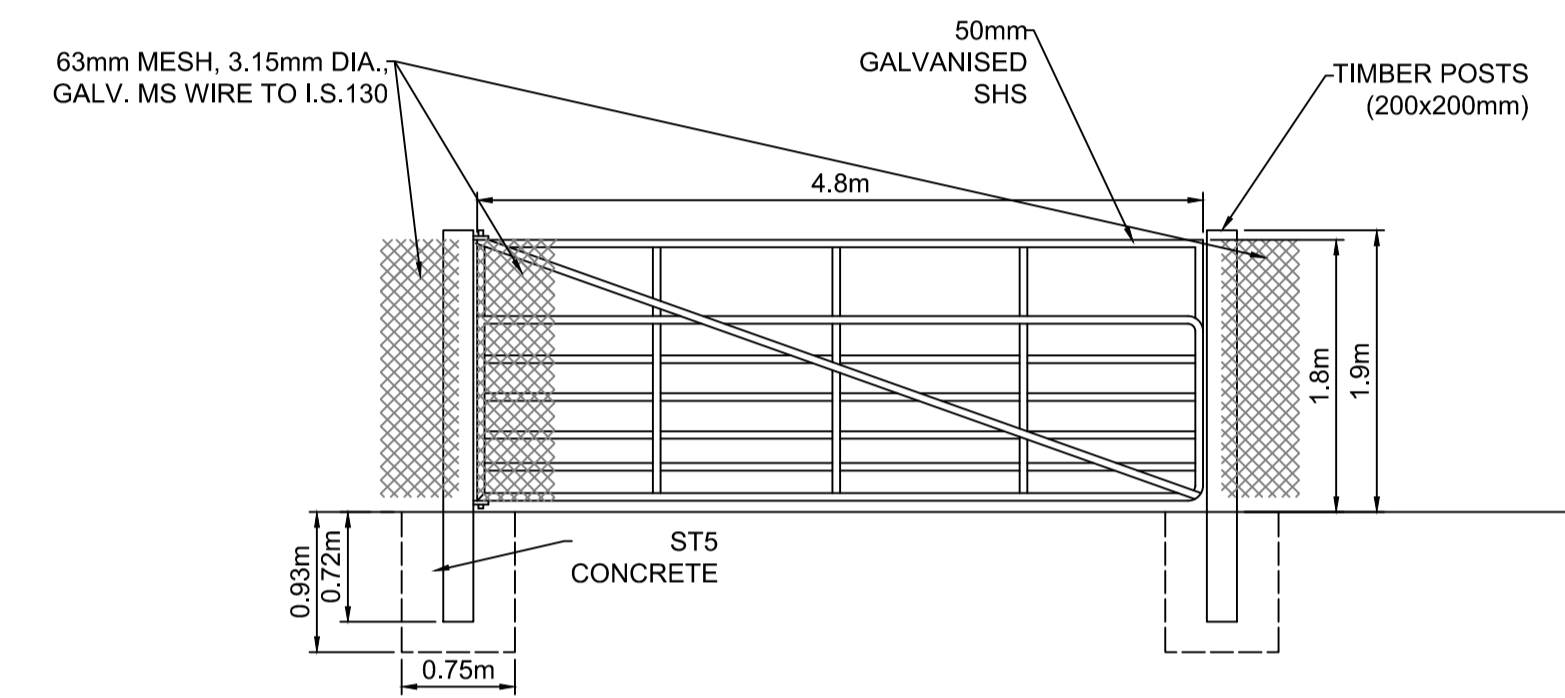


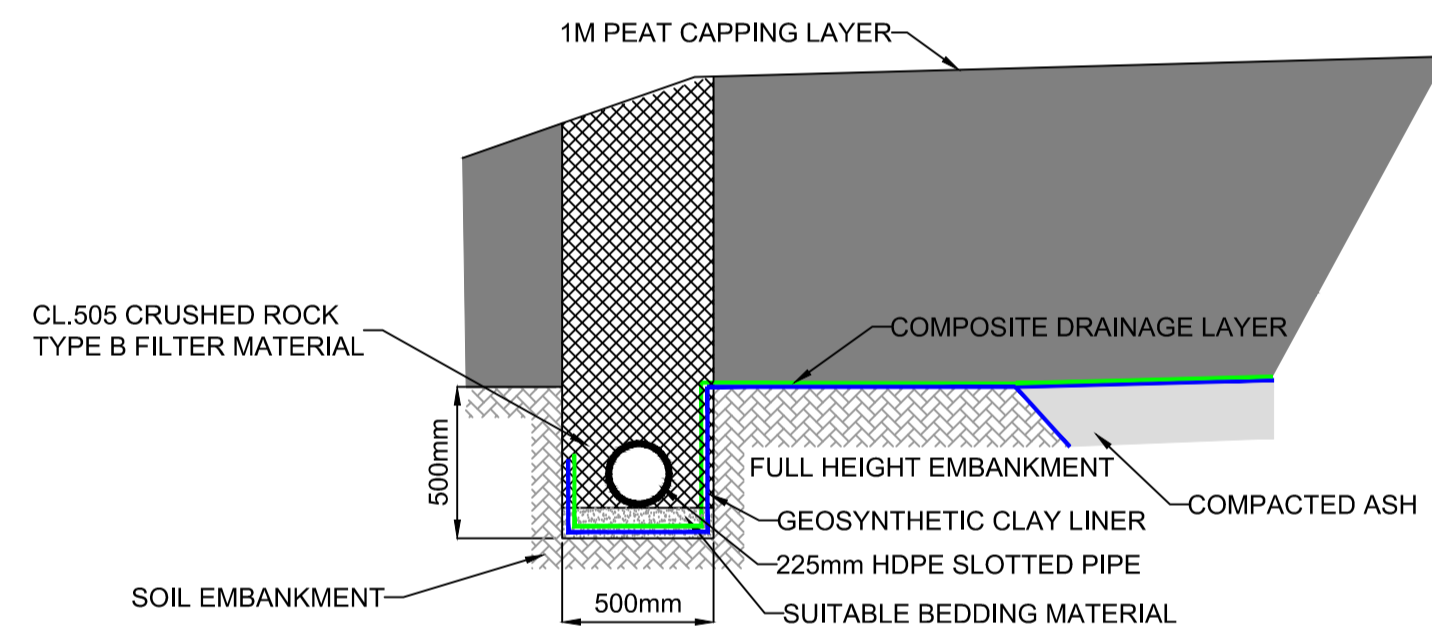
EMBankment (TYPICAL DETAIL)
SCALE 1:100



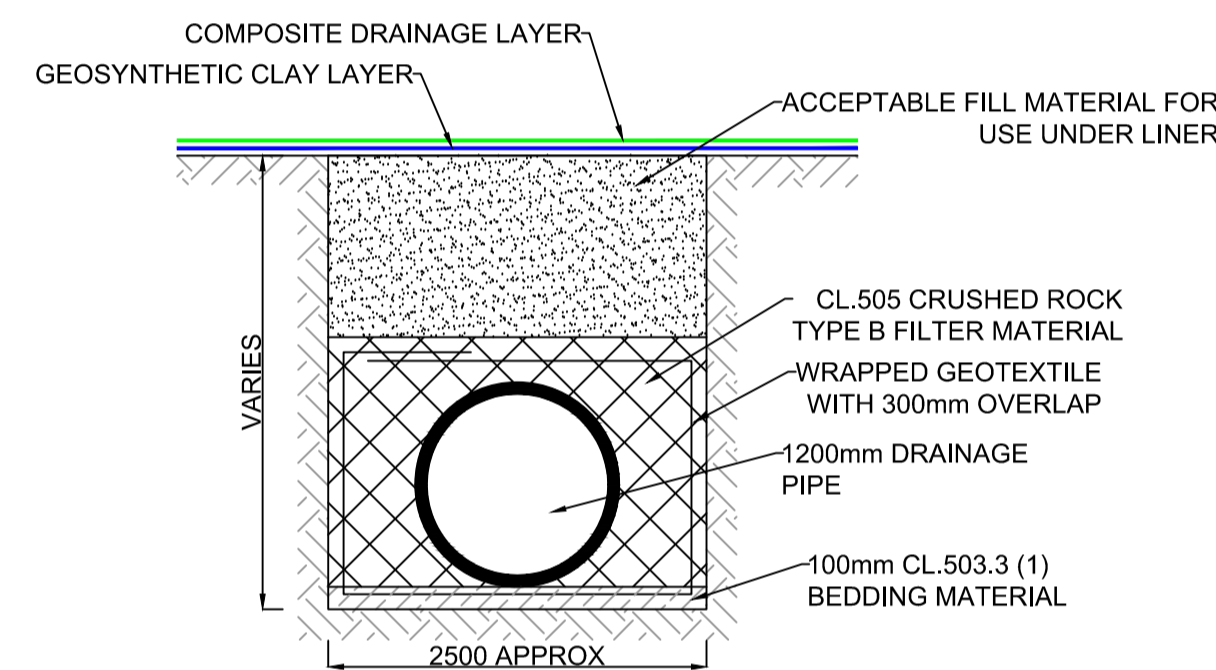
EXISTING & PROPOSED LEACHATE LAGOON FENCE TYPICAL DETAIL TYPE 3 FENCE
SCALE 1:50



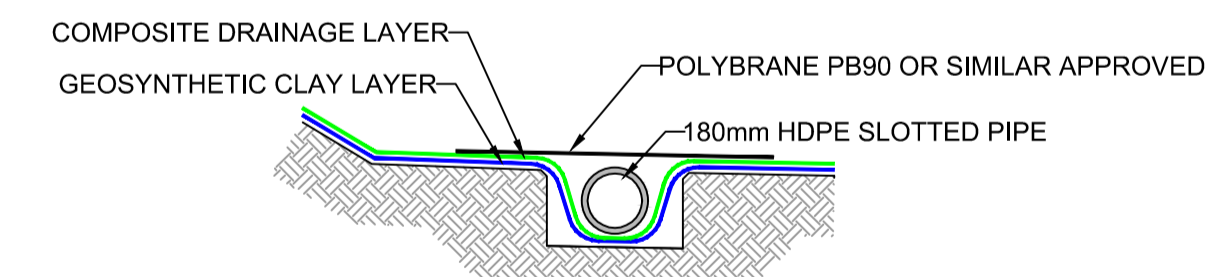
EXISTING & PROPOSED LEACHATE LAGOON ACCESS GATE
SCALE 1:50



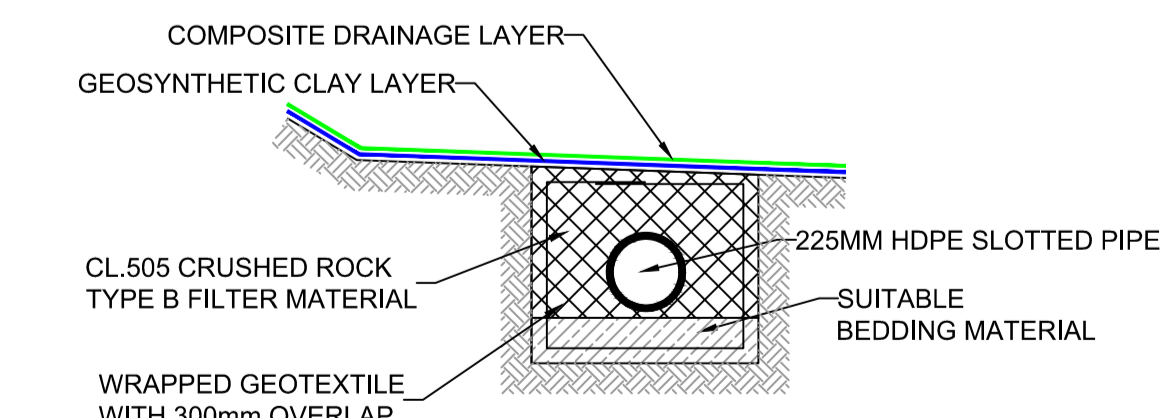
ANCHOR TRENCH DETAIL
SCALE 1:25



MAIN PIPED DRAIN
SCALE 1:50

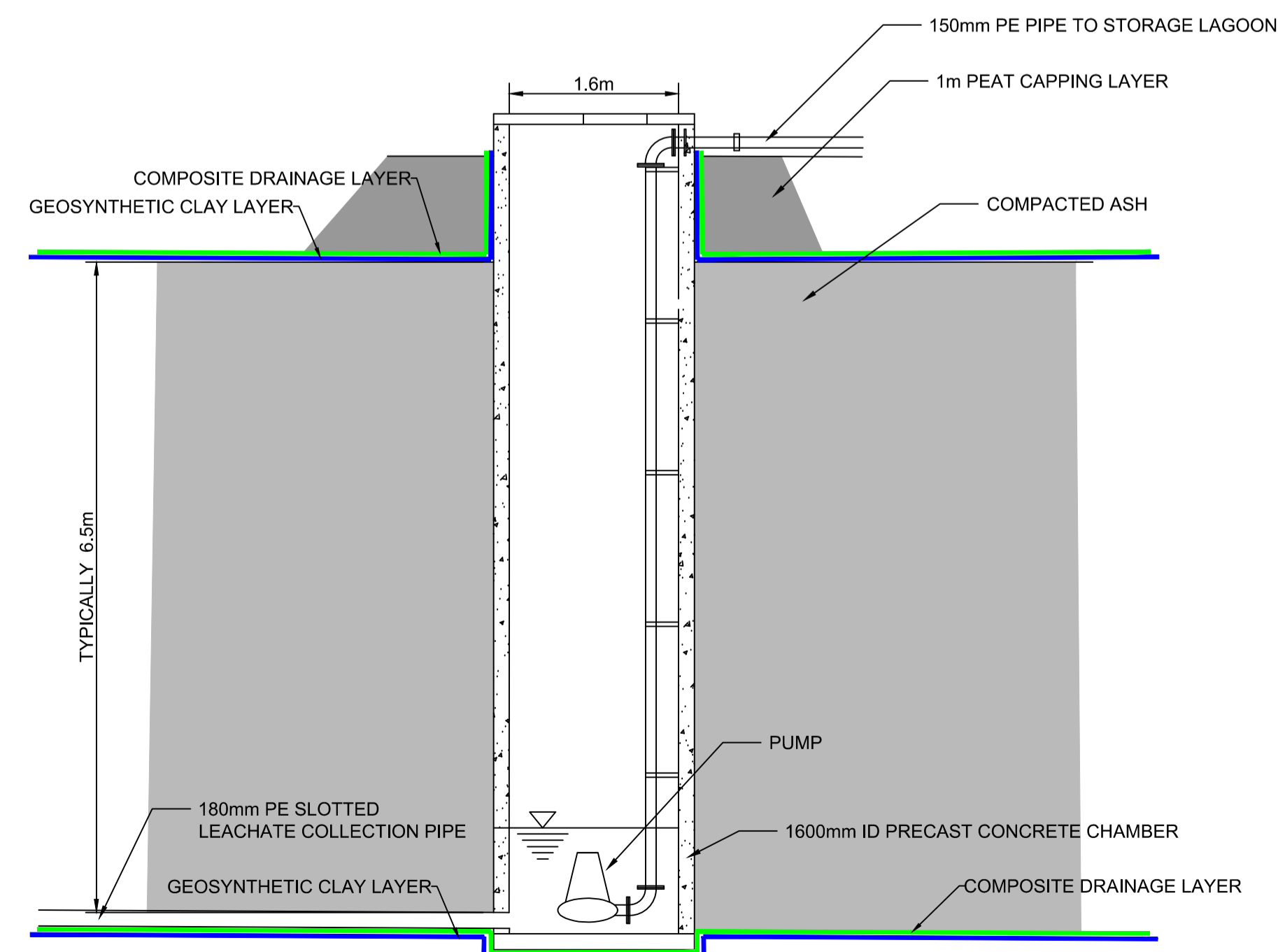


LEACHATE COLLECTOR DRAIN
SCALE 1:10

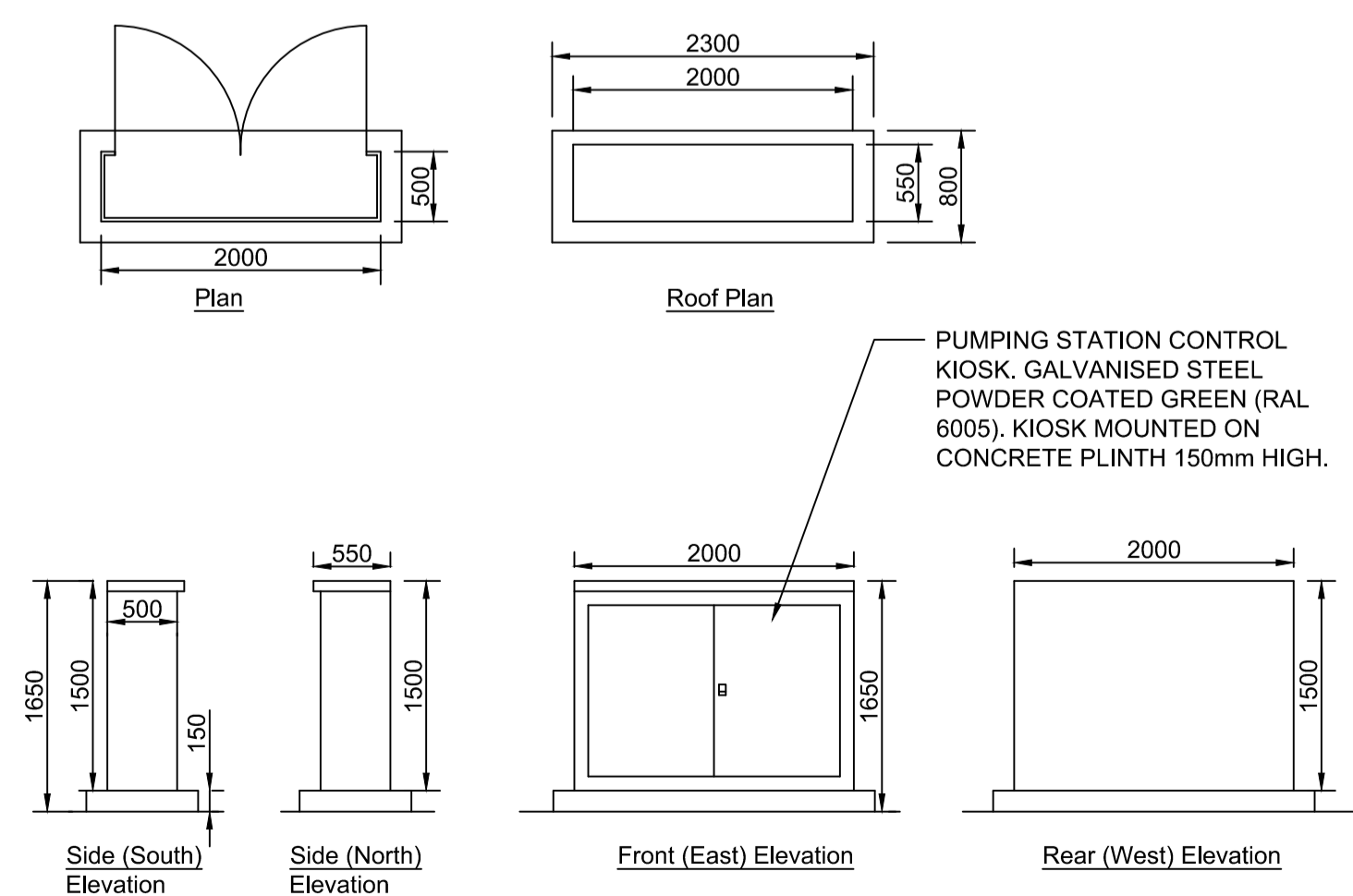


UNDER CELL DRAIN
SCALE 1:10

- NOTES:
1. THIS DRAWING IS FOR PLANNING APPLICATION PURPOSES ONLY.
 2. DRAWING NOT TO BE SCALED, FIGURED DIMENSIONS ONLY TO BE USED.
 3. ALL LEVELS TO MALIN HEAD METRES ABOVE DATUM



TYPICAL LEACHATE MANHOLE SECTION
SCALE 1:50



LEACHATE MANHOLE KIOSK (TYPICAL)
SCALE 1:50

		ESBI		BNM	
REV	DATE	REVISION DESCRIPTION	DRN	VER	APP
0	18.10.18	ISSUED FOR PLANNING			
COPYRIGHT © ESB INTERNATIONAL LIMITED ALL RIGHTS RESERVED. NO PART OF THIS WORK MAY BE MODIFIED, REPRODUCED OR COPIED IN ANY FORM OR BY ANY MEANS - GRAPHIC, ELECTRONIC OR MECHANICAL, INCLUDING PHOTOCOPIING, RECORDING, TAPING OR USED FOR ANY PURPOSE OTHER THAN ITS DESIGNATED PURPOSE, WITHOUT THE WRITTEN PERMISSION OF ESB ENGINEERING & FACILITY MANAGEMENT LTD., TRADING AS ESB INTERNATIONAL.					
PURPOSE OF ISSUE - PRELIMINARY UNLESS INDICATED					
CLIENT APPROVAL	<input type="checkbox"/>	PLANNING	<input checked="" type="checkbox"/>	TENDER	<input type="checkbox"/>
		CONSTRUCTION	<input type="checkbox"/>	AS-BUILT	<input type="checkbox"/>
CLIENT	ESB				
PROJECT	WEST OFFALY POWER TRANSITION TO BIOMASS				
ENGINEER DESIGN	One Dublin Airport Central, Dublin Airport, Co. Dublin Tel: 353 1 703 8000 Email: marketing@esbi.ie Web: www.esbinternational.ie		BORD na MÓNA Naturally Driven Engineering Department, Leabeg, Tullamore, Co. Offaly, Tel: 057 9345900		
CONTRACT	WOP: ASH DISPOSAL FACILITY (ADF)				
DRAWING TITLE	TYPICAL CONSTRUCTION DETAILS				
PRODUCTION UNIT	CIVIL & ENVIRONMENTAL ENGINEERING				
One Dublin Airport Central, Dublin Airport, Co. Dublin Tel: 353 1 703 8000 Email: marketing@esbi.ie Web: www.esbinternational.ie ESB International is a trading name of ESB Engineering & Facility Management Ltd. Registered Office: as above Registered in Ireland No. 155249					
DRAWN	VERIFIED	APPROVED	APPROVAL DATE		
NH	H.O.K	PK	18.10.18		
CLIENT REF	NO. OF SHTS	SIZE	SCALE		
	1	A1	As shown @ A1		
DRAWING NUMBER		REV			
QS-00206-01-D460-114		0			